

Original BMW Accessories.

Installation Instructions.



BMW Head-Up Screen Retrofit

BMW 1 Series (E81, E82, E87, E88, F20, F21)

BMW 2 Series (F22, F23, F45, F46)

BMW 3 Series (E90, E91, E92, E93, F30, F31, F34, F35)

BMW 4 Series (F32, F33, F36)

BMW 5 Series (F10, F11)

BMW X1 (E84)

BMW X3 (F25)

BMW X4 (F26)

Retrofit kit number

62 30 2 361 627 BMW Head-Up Screen

Installation time

The installation time is **approx. 1 hour**. This may vary depending on the condition of the car and the equipment in it.

Important information

These installation instructions are primarily designed for use within the BMW dealership organisation and by authorised BMW service companies.

These installation instructions are intended for use by qualified specialist staff trained on BMW vehicles with the relevant expert knowledge.

All work must be completed using the latest BMW repair manuals, wiring diagrams, servicing manuals and work instructions, in a rational order, using the prescribed tools (special tools) and observing current health and safety regulations.

If you experience installation or function problems, restrict troubleshooting to approx. 0.5 hours for mechanical work and 1.0 hour for electrical work.


To avoid unnecessary extra work and/or costs, send an inquiry straight away to the technical parts support team via the Aftersales Assistance Portal (ASAP).

Quote the following information:

- Chassis number,
- Retrofit kit part number,
- A detailed description of the problem,
- And any work already carried out.

Do not archive the hard copy of these installation instructions since daily updates are provided via ASAP!

Pictograms

 Denotes instructions that draw your attention to dangers.

 Denotes instructions that draw your attention to special features.

◀ Denotes the end of the instruction or other text.

Installation information

Ensure that the cables and/or lines are not kinked or damaged as you install them in the car. Costs arising from this will not be reimbursed by BMW AG.

Additional cables/wires that you install must be secured with cable ties. If the specified PIN chambers are occupied, bridges, double crimps or twin-lead terminals must be used.

All pictures show LHD cars; proceed accordingly on RHD cars.

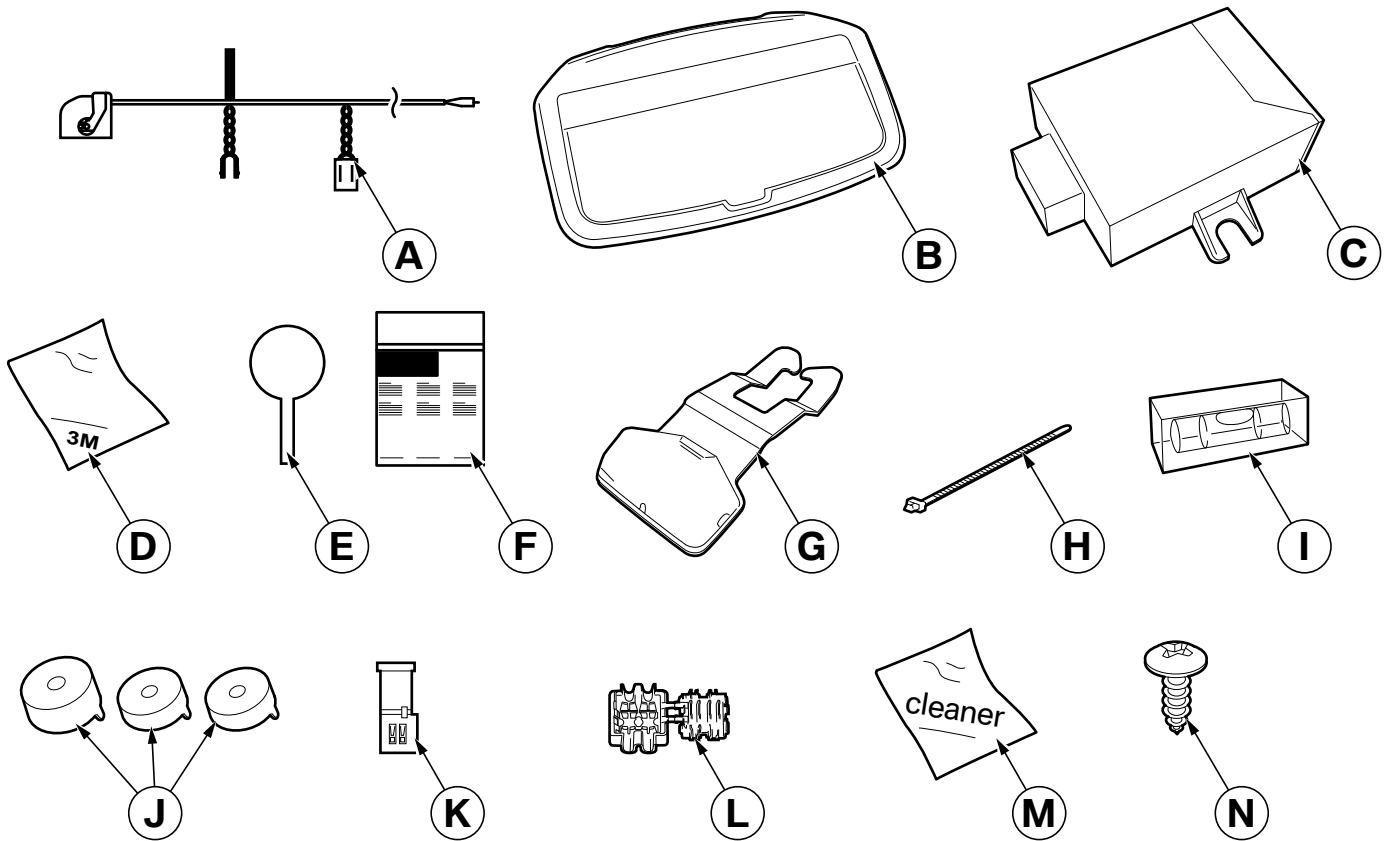
To level the Head-Up Screen, the vehicle must be standing on a flat surface.

Special tools required

Details of the special tool required can be found in the relevant ISTA repair manual.

Section	Page
1. Parts list for retrofit kit	4
2. Preparatory work	5
3. Retrofit wiring harness connection diagram (E81, E82, E84, E87, E88, E90, E91, E92, E93 cars only)	6
4. Retrofit wiring diagram connection diagram (F20, F21, F22, F23, F30, F31, F32, F33, F34, F35, F36 cars only)	7
5. Retrofit wiring harness connection diagram (F10, F11, F25, F26 cars only)	8
6. Retrofit wiring harness connection diagram (F45, F46 cars only)	9
7. Installation and cabling diagram (E81, E82, E84, E87, E88, E90, E91, E92, E93 cars only)	10
8. Installation and cabling diagram (F20, F21, F22, F23, F30, F31, F32, F33, F34, F35, F36 cars only)	11
9. Installation and cabling diagram (F25, F26 cars only)	12
10. Installation and cabling diagram (F10, F11 cars only)	13
11. Installation and cabling diagram (F45, F46 cars only)	14
12. Routing and connecting the retrofit wiring harness (E81, E82, E84, E87, E88, E90, E91, E92, E93 cars only)	15
13. Routing and connecting the retrofit wiring harness (F20, F21, F22, F23, F30, F31, F32, F33, F34, F35, F36 cars only)	17
14. Routing and connecting the retrofit wiring harness (F10, F11, F25, F26 cars only)	19
15. Routing and connecting the retrofit wiring harness (F45, F46 cars only)	20
16. Installing the Head-Up Screen	22
17. Concluding work and coding	25
18. Wiring diagram (E81, E82, E84, E87, E88, E90, E91, E92, E93 cars only)	26
19. Wiring diagram (F20, F21, F22, F23, F30, F31, F32, F33, F34, F35, F36 cars only)	27
20. Wiring diagram (F10, F11, F25, F26 cars only)	28
21. Wiring diagram (F45, F46 cars only)	29

1. Parts list for retrofit kit



001 0841 Z

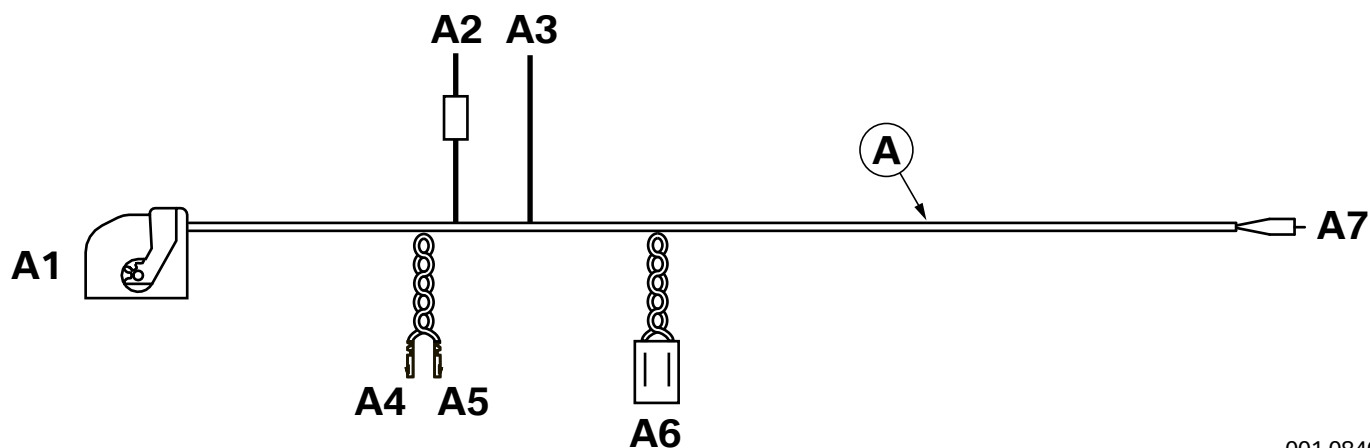
Legend

- A** Retrofit wiring harness
- B** Head-Up Screen
- C** CAN interface
- D** Cleaning cloth (to be given to the customer)
- E** Round adhesive pad (3 x)
- F** Operating instructions (to be given to the customer)
- G** Tie rod
- H** Cable tie (5 x)
- I** Spirit level
- J** Add-on set (for F30, F31, F32, F33, F34, F35, F36 only)
- K** SW 2-pin socket casing
- L** 2-way miniature connector (2 x)
- M** Cleaning pad
- N** Screw (3 x, for F30, F31, F32, F33, F34, F35, F36 only)

2. Preparatory work

	ISTA No.
Disconnect the negative terminal of the battery	61 20 900
The following components must be removed first of all	
F20, F21, F22, F23, F30, F31, F32, F33, F34, F35, F36, F45, F46 cars only	
Front right (interior) door sill cover strip	51 47 000
Bottom right A pillar trim	51 43 075
Left dashboard cover	51 45 ...
Bottom left and right dashboard trim	51 43 195
E81, E82, E84, E87, E88, E90, E91, E92, E93 cars only	
Left dashboard cover	51 45 ...
Bottom left and right dashboard trim	51 43 195
Junction box (loosen only)	61 35 107
F10, F11, F25, F26 cars only	
Left dashboard cover	51 45 ...
Bottom left dashboard trim	51 43 195

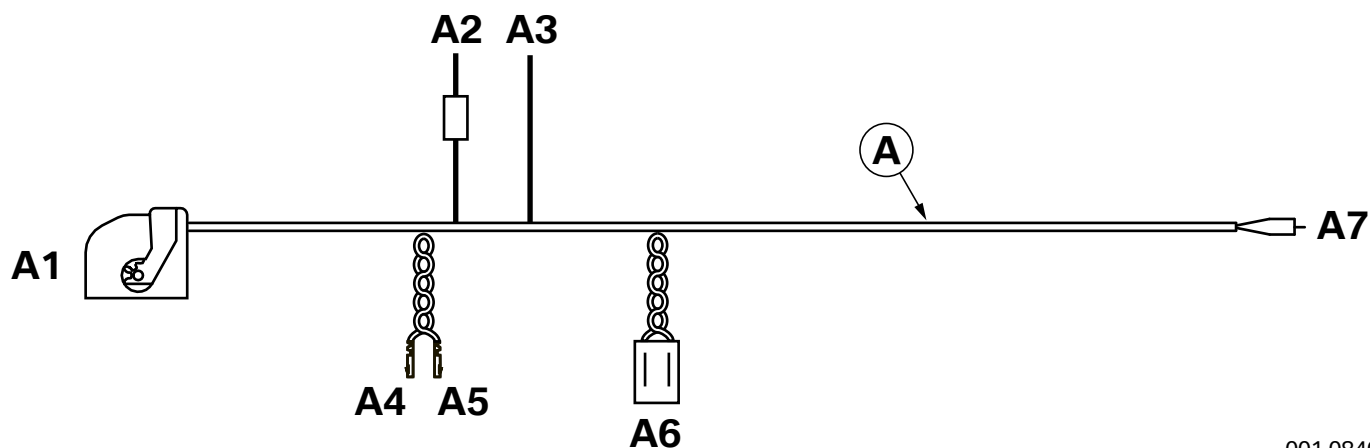
3. Retrofit wiring harness connection diagram (E81, E82, E84, E87, E88, E90, E91, E92, E93 cars only)



001 0840 Z

Item	Designation	Signal	Cable colour/ cross-section	Connection location in the car	Abbreviation / slot
A	Retrofit wiring harness	---	---	---	---
A1	SW 12-pin socket casing	---	---	To CAN interface C	---
A2	Cable open (fine wire fuse 6 x 30 mm, 2 A)	Terminal 30g	RT 0.5 mm ²	With miniature connector L to the junction box behind the glove compartment	X14270 PIN 13
A3	Cable open	Terminal 31	SW 0.5 mm ²	With miniature connector L to the cable from the ground support point underneath the passenger footwell carpet	X490
A4	Socket contact	PT_CAN_H	BL/RT 0.35 mm ²	An Junctionbox A4010 hinter Handschuhfach	X14271 PIN 1
A5	Socket contact	PT_CAN_L	RT 0.35 mm ²	An Junctionbox A4010 hinter Handschuhfach	X14271 PIN 2
A6	SW 2-pin plug casing	---	---	With socket casing K to the disconnected cables from plug X14271	---
A7	Barrel connector	---	---	To Head-Up Screen B	---

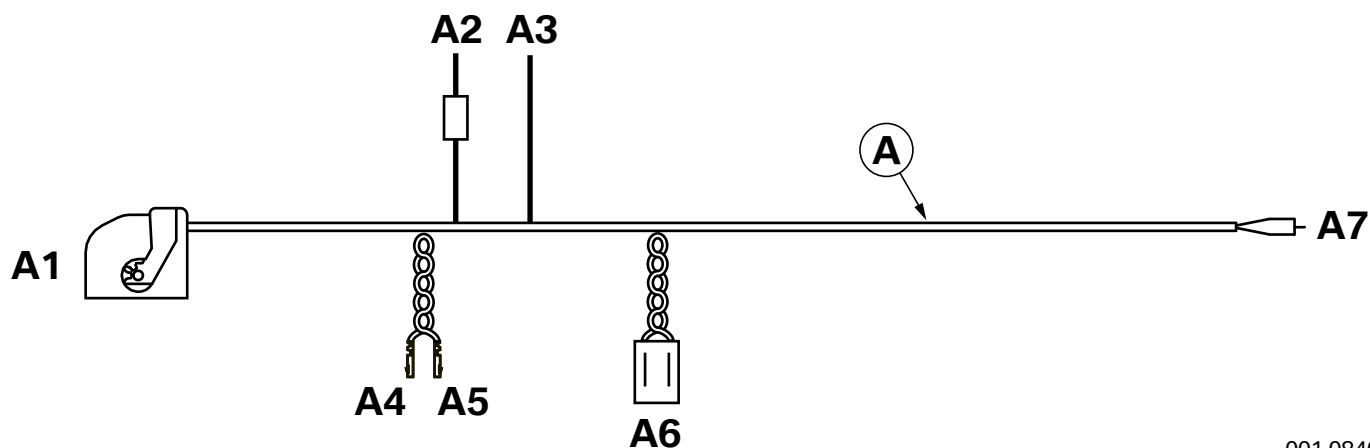
**4. Retrofit wiring diagram connection diagram
(F20, F21, F22, F23, F30, F31, F32, F33, F34, F35, F36 cars only)**



001 0840 Z

Item	Designation	Signal	Cable colour/ cross-section	Connection location in the car	Abbreviation / slot
A	Retrofit wiring harness	---	---	---	---
A1	SW 12-pin socket casing	---	---	To CAN interface C	---
A2	Cable open (fine wire fuse 6 x 30 mm, 2 A)	Terminal 30B	RT 0.5 mm ²	With miniature connector L to FEM A173	A173*3B PIN 19
A3	Cable open	Terminal 31	SW 0.5 mm ²	With miniature connector L to the ground support point in the passenger footwell	Z10*6B
A4	Socket contact	PT_CAN_H	BL/RT 0.35 mm ²	To the plug from FEM A173	A173*2B PIN 19
A5	Socket contact	PT_CAN_L	RT 0.35 mm ²	To the plug from FEM A173	A173*2B PIN 18
A6	SW 2-pin plug casing	---	---	With socket casing K to the disconnected cables from plug A173*2B	---
A7	Barrel connector	---	---	To Head-Up Screen B	---

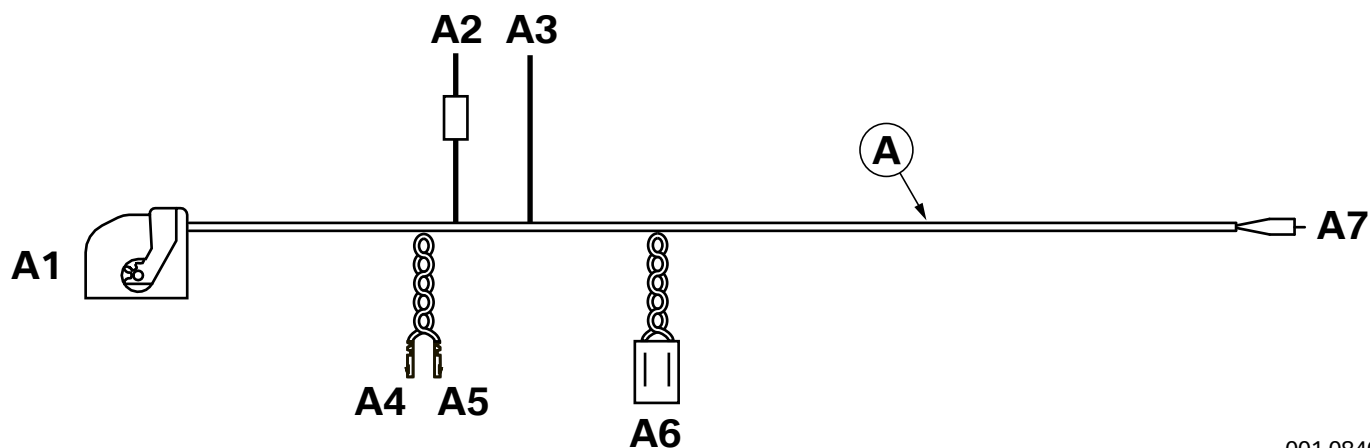
5. Retrofit wiring harness connection diagram (F10, F11, F25, F26 cars only)



001 0840 Z

Item	Designation	Signal	Cable colour/ cross-section	Connection location in the car	Abbreviation / slot
A	Retrofit wiring harness	---	---	---	---
A1	SW 12-pin socket casing	---	---	To CAN interface C	---
A2	Cable open (fine wire fuse 6 x 30 mm, 2 A)	Terminal 30B	RT 0.5 mm ²	With miniature connector L to CAS A16	A16*1B PIN 3
A3	Cable open	Terminal 31	SW 0.5 mm ²	With miniature connector L to CAS A16	A16*1B PIN 12
A4	Socket contact	PT_CAN_H	BL/RT 0.35 mm ²	To CGM A51	A51*1B PIN 46
A5	Socket contact	PT_CAN_L	RT 0.35 mm ²	To CGM A51	A51*1B PIN 47
A6	SW 2-pin plug casing	---	---	With socket casing K to the disconnected cables from plug A51*1B	---
A7	Barrel connector	---	---	To Head-Up Screen B	---

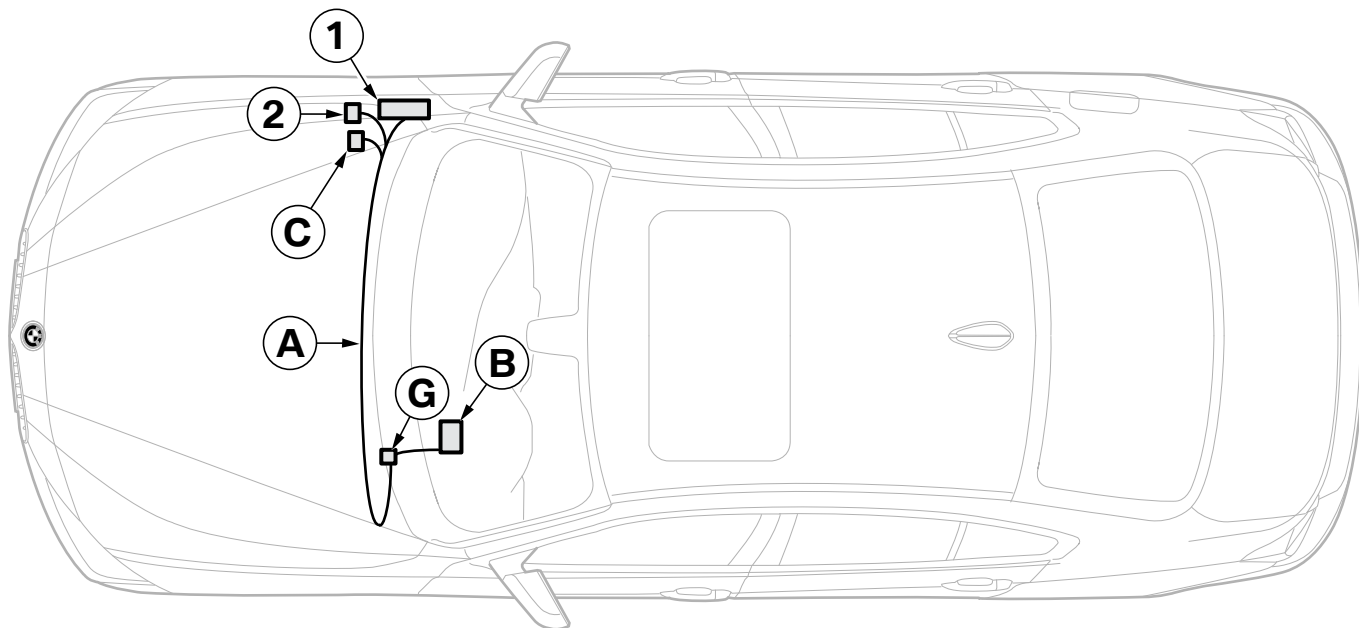
6. Retrofit wiring harness connection diagram (F45, F46 cars only)



001 0840 Z

Item	Designation	Signal	Cable colour/ cross-section	Connection location in the car	Abbreviation / slot
A	Retrofit wiring harness	---	---	---	---
A1	SW 12-pin socket casing	---	---	To CAN interface C	---
A2	Cable open (fine wire fuse 6 x 30 mm, 2 A)	Terminal 30B	RT 0.5 mm ²	With miniature connector L to BDC A258	A258*3B PIN 19
A3	Cable open	Terminal 31	SW 0.5 mm ²	With miniature connector L to the ground support point in the passenger footwell	Z10*5B
A4	Socket contact	PT_CAN_H	BL/RT 0.35 mm ²	To the plug from BDC A258	A258*8B PIN 19
A5	Socket contact	PT_CAN_L	RT 0.35 mm ²	To the plug from BDC A258	A258*8B PIN 20
A6	SW 2-pin plug casing	---	---	Mit Buchsengehäuse K an ausgepinnten Leitungen von Stecker A258*8B	---
A7	Barrel connector	---	---	To Head-Up Screen B	---

**7. Installation and cabling diagram
(E81, E82, E84, E87, E88, E90, E91, E92, E93 cars only)**

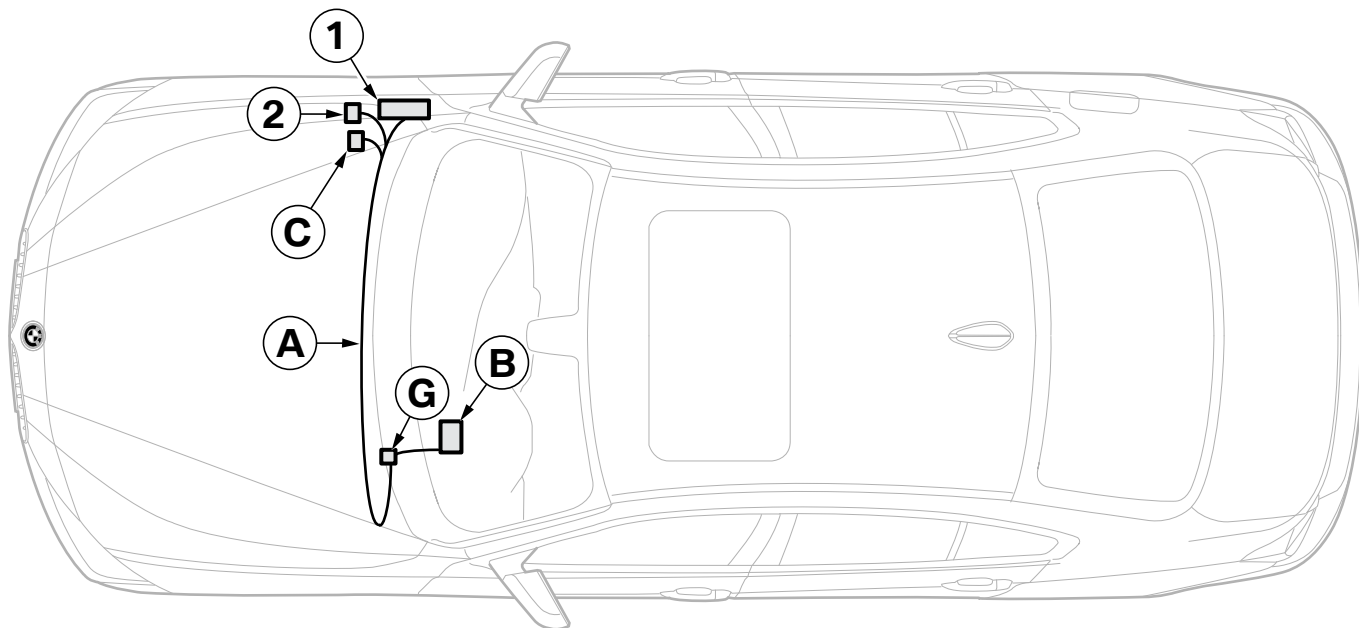


090 1600 Z

- A** Retrofit wiring harness
- B** Head-Up Screen
- C** CAN interface
- G** Tie rod

- 1** Junction box **A4010**, plug **X14270** and **X14271**
- 2** Ground support point **X490**

**8. Installation and cabling diagram
(F20, F21, F22, F23, F30, F31, F32, F33, F34, F35, F36 cars only)**

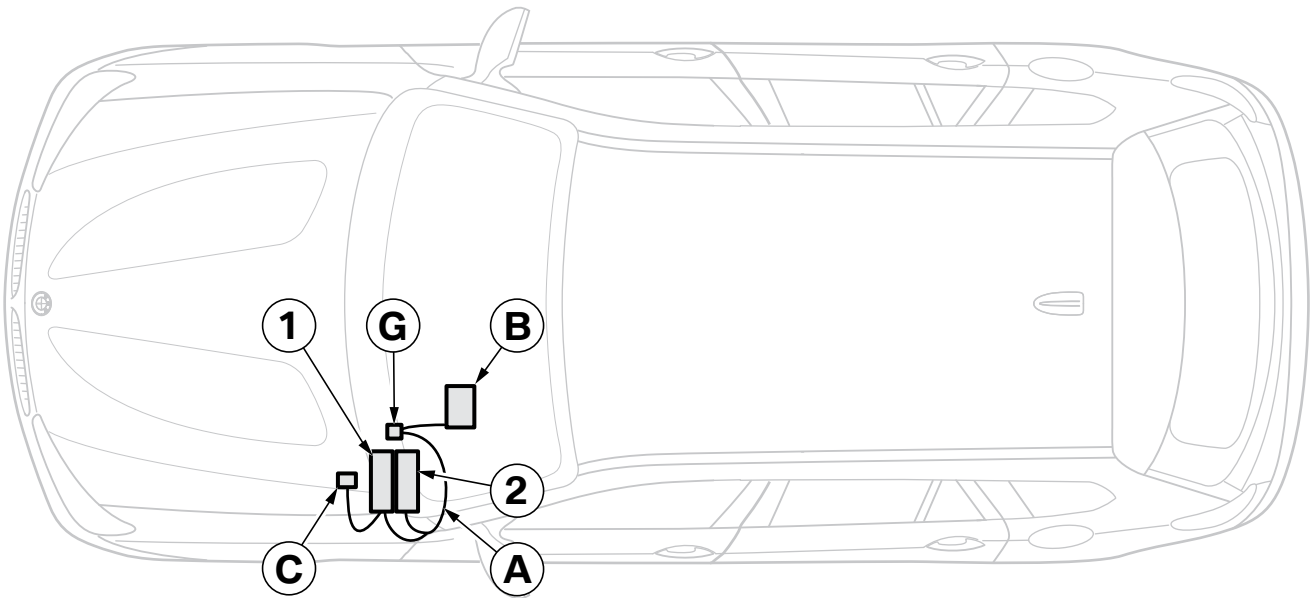


F30 0336 Z

- A** Retrofit wiring harness
- B** Head-Up Screen
- C** CAN interface
- G** Tie rod

- 1** FEM **A173**, plug **A173*2B** and **A173*3B**
- 2** Ground support point **Z10*6B**

9. Installation and cabling diagram (F25, F26 cars only)

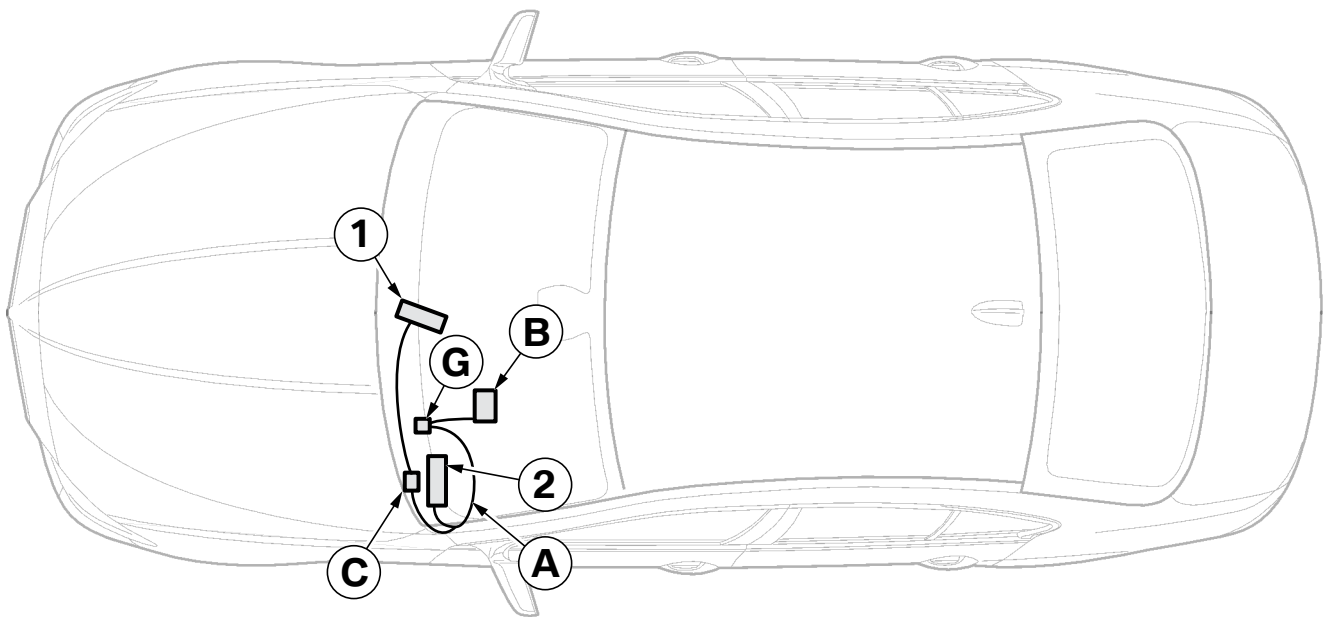


F25 0365 Z

- A** Retrofit wiring harness
- B** Head-Up Screen
- C** CAN interface
- G** Tie rod

- 1** CAS **A16**, plug **A16*1B**
- 2** CGM **A51**, plug **A51*1B**

10. Installation and cabling diagram (F10, F11 cars only)

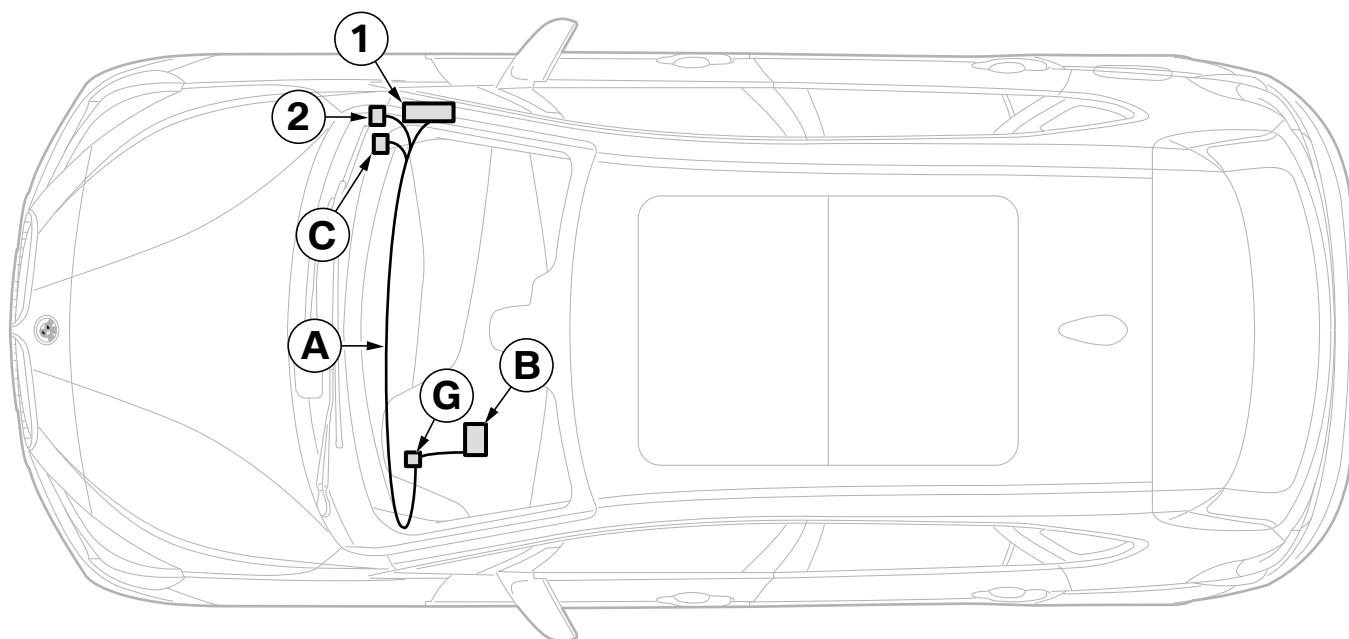


F25 0270 Z

- A** Retrofit wiring harness
- B** Head-Up Screen
- C** CAN interface
- G** Tie rod

- 1** CAS **A16**, plug **A16*1B**
- 2** CGM **A51**, plug **A51*1B**

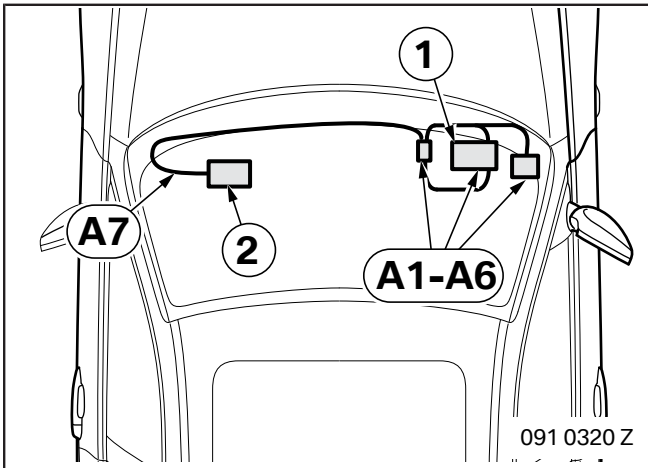
11. Installation and cabling diagram (F45, F46 cars only)



F45 0059 Z

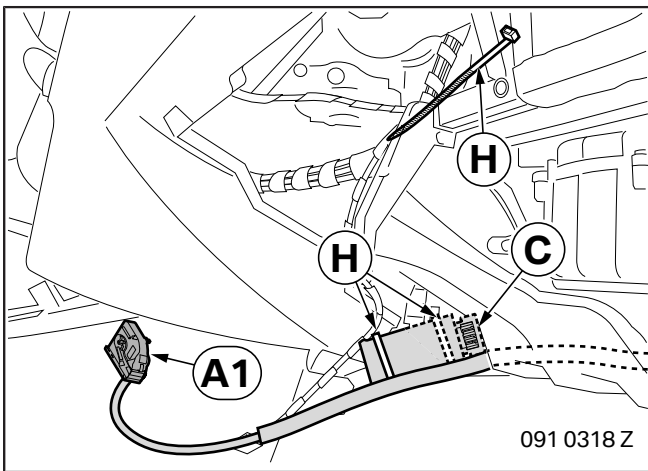
- A** Retrofit wiring harness
 - B** Head-Up Screen
 - C** CAN interface
 - G** Tie rod
-
- 1** BDC **A258**, plug **A258*8B** and **A258*3B**
 - 2** Ground support point **Z10*6B**

12. Routing and connecting the retrofit wiring harness (E81, E82, E84, E87, E88, E90, E91, E92, E93 cars only)



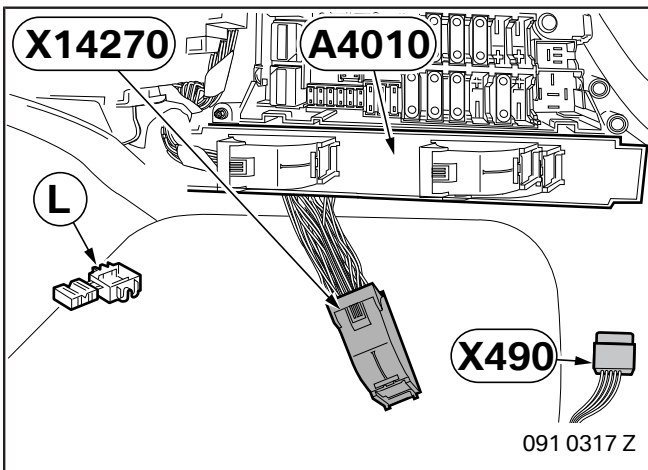
Route branches **A1-A6** to the glove compartment (1).

Route branch **A7** to the instrument cluster (2).



Connect branch **A1**, SW 12-pin socket casing, to CAN interface **C**.

Secure CAN interface **C** using cable tie **H** to the standard wiring harness next to the fan motor.

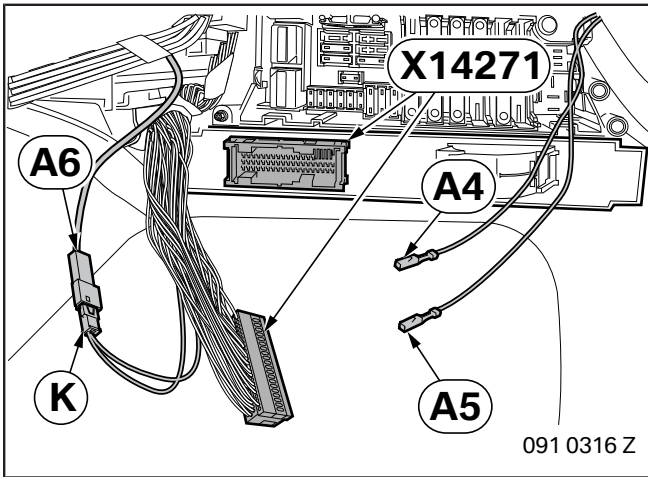


▶ Plug **X14270**, SW 47-pin socket casing, is installed on the reverse of junction box **A4010**. ◀

Connect branch **A2**, RT cable, using miniature connector **L** to the RT/BR cable from PIN 13 of plug **X14270**, SW 47-pin socket casing.

Connect branch **A3**, SW cable, using miniature connector **L** to the BR cable of ground support point **X490** under the passenger footwell carpet.

12. Routing and connecting the retrofit wiring harness (E81, E82, E84, E87, E88, E90, E91, E92, E93 cars only)

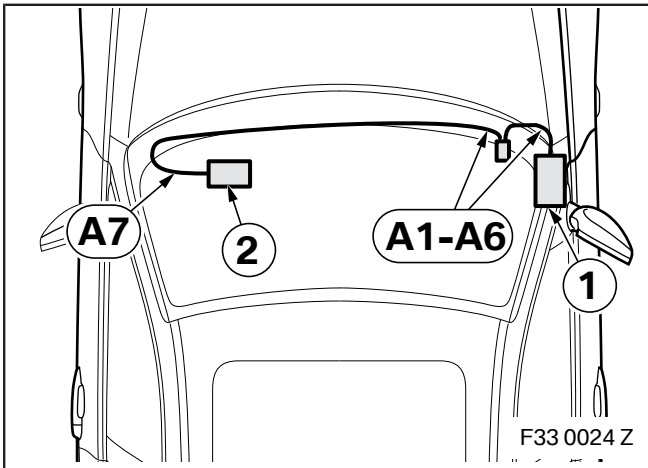


Connect branches **A4-A5** as follows:

- Disconnect the BL/RT cable from PIN 1 of plug **X14271**, BL 54-pin socket casing, and connect to PIN 1 of socket casing **K**
- Disconnect the RT cable from PIN 2 of plug **X14271**, BL 54-pin socket casing, and connect to PIN 2 of socket casing **K**
- Connect branch **A4**, BL/RT cable, to PIN 1 of plug **X14271**, BL 54-pin socket casing
- Connect branch **A5**, RT cable, to PIN 2 of plug **X14271**, BL 54-pin socket casing

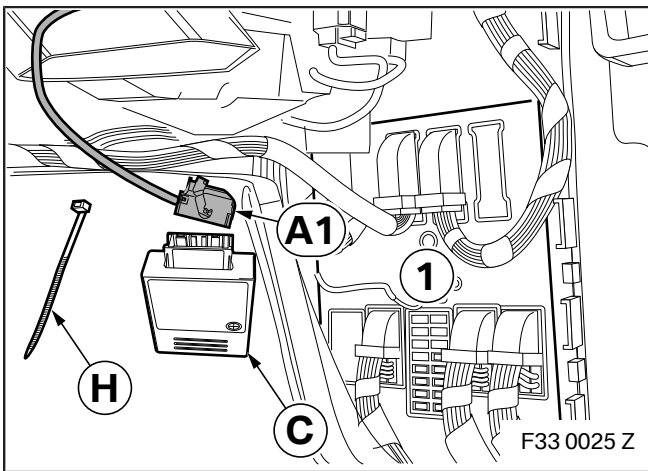
Connect branch **A6**, SW 2-pin plug casing, to socket casing **K**.

13. Routing and connecting the retrofit wiring harness (F20, F21, F22, F23, F30, F31, F32, F33, F34, F35, F36 cars only)



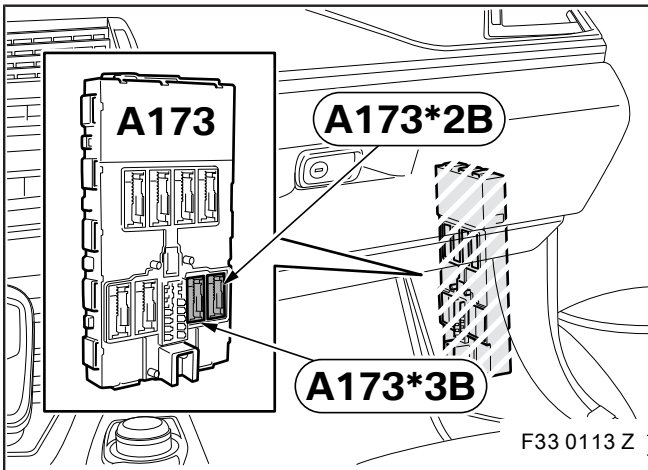
Route branches **A1–A6** to the installation point of the FEM (1) on the lower right A-pillar.

Route branch **A7** to the instrument cluster (2).



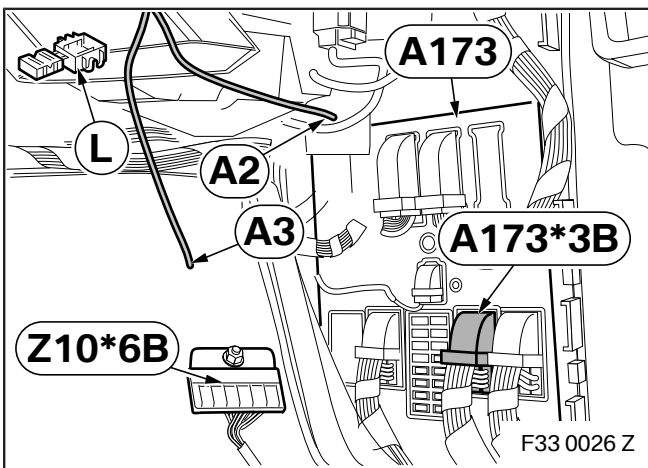
Connect branch **A1**, SW 12-pin socket casing, to CAN interface **C**.

Secure CAN interface **C** using cable tie **H** to a suitable installation point in the area of the FEM (1).



Connection locations to FEM **A173**:

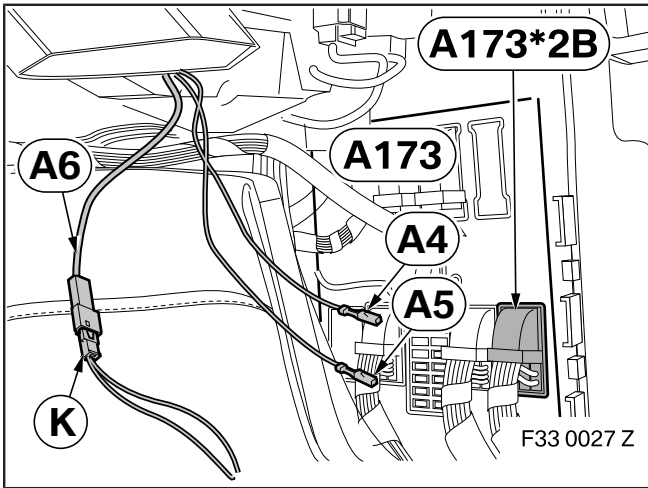
- **A173*2B**, SW 42-pin socket casing
- **A173*3B**, SW 54-pin socket casing



Connect branch **A2**, RT cable, using miniature connector **L** to the cable from PIN 19 of plug **A173*3B**, SW 54-pin socket casing, on FEM **A173**.

Connect branch **A3**, SW cable, using miniature connector **L** to the BR cable of ground support point **Z10*6B** under the passenger footwell carpet.

13. Routing and connecting the retrofit wiring harness (F20, F21, F22, F23, F30, F31, F32, F33, F34, F35, F36 cars only)

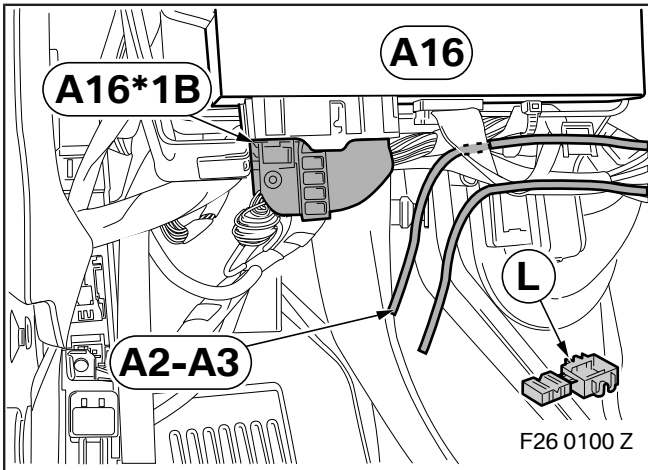


Connect branches **A4-A6** as follows:

- Disconnect the BL/RT cable from PIN 19 of plug **A173*2B**, SW 42-pin socket casing, and connect to PIN 1 of socket casing **K**
- Disconnect the RT cable from PIN 18 of plug **A173*2B**, BL 42-pin socket casing, and connect to PIN 2 of socket casing **K**
- Connect branch **A4**, BL/RT cable, to PIN 19 of plug **A173*2B**, SW 42-pin socket casing
- Connect branch **A5**, RT cable, to PIN 18 of plug **A173*2B**, SW 42-pin socket casing

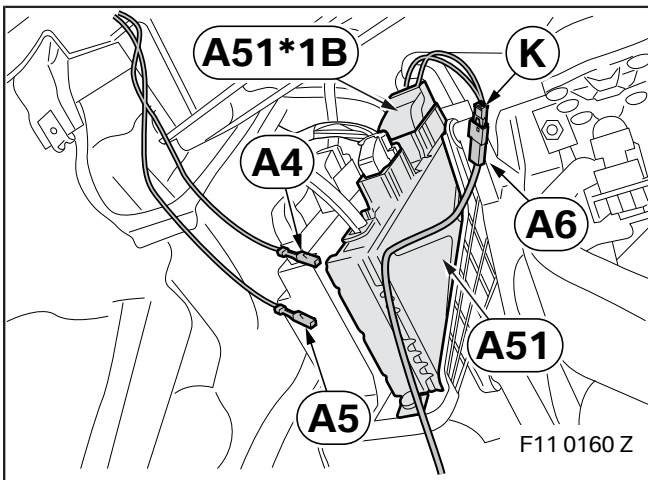
Connect branch **A6**, SW 2-pin plug casing, to socket casing **K**.

14. Routing and connecting the retrofit wiring harness (F10, F11, F25, F26 cars only)



Connect branches **A2-A3** as follows using miniature connector **L** to the cables from plug **A16*1B**, SW 41-pin socket casing, on CAS **A16**:

- Branch **A2**, RT cable, to RT/BL cable from PIN 3
- Branch **A3**, BR cable, to BR/SW cable from PIN 12



Connect branches **A4-A5** as follows to plug **A51*1B**, SW 54-pin socket casing, on CGM **A51**:

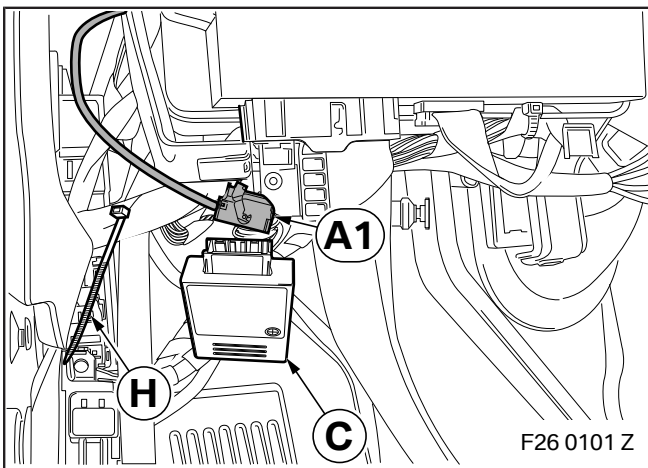
- Disconnect the BL/RT cable from PIN 46 and connect PIN 1 of socket casing **K**
- Disconnect the RT cable from PIN 47 and connect PIN 2 of socket casing **K**
- Connect branch **A4**, BL/RT cable, to PIN 46 of plug **A51*1B**
- Connect branch **A4**, RT cable, to PIN 47 of plug **A51*1B**

Connect branch **A6**, SW 2-pin plug casing, to socket casing **K**.

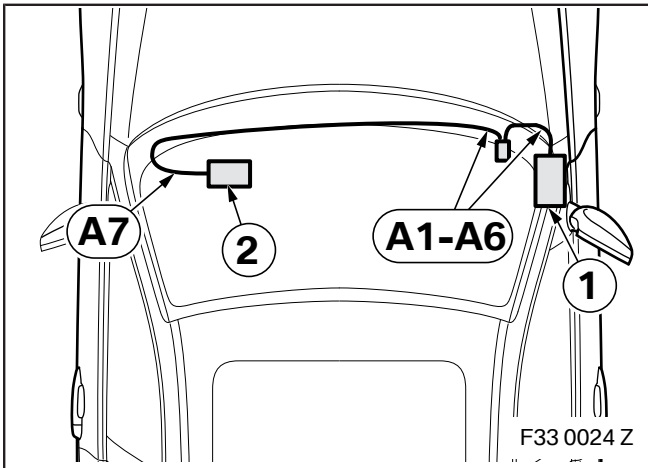
! Ensure that no cables are running along the pedals or along the steering column. ◀

Connect branch **A1**, SW 12-pin socket casing, to CAN interface **C**.

Secure CAN interface **C** using cable tie **H** to a suitable installation point in the driver footwell.

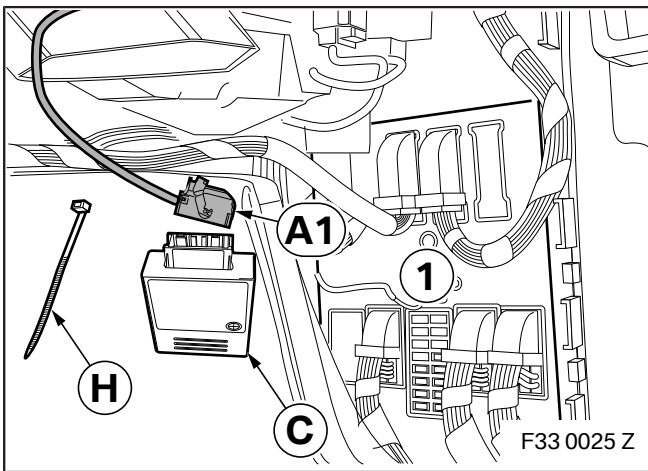


15. Routing and connecting the retrofit wiring harness (F45, F46 cars only)



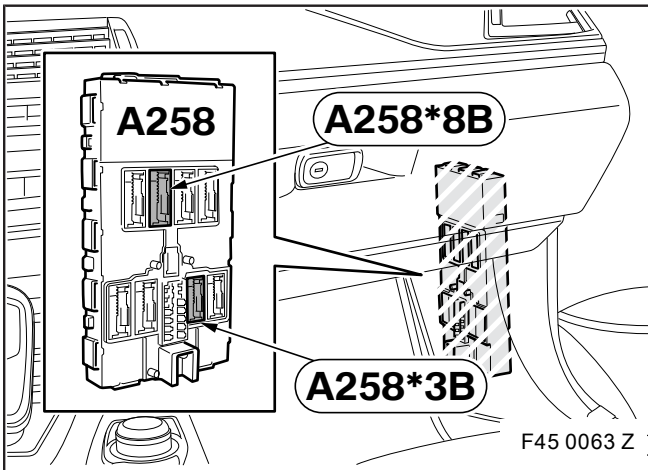
Route branches **A1–A6** to the installation point of the BDC (1) on the lower right A-pillar.

Route branch **A7** to the instrument cluster (2).



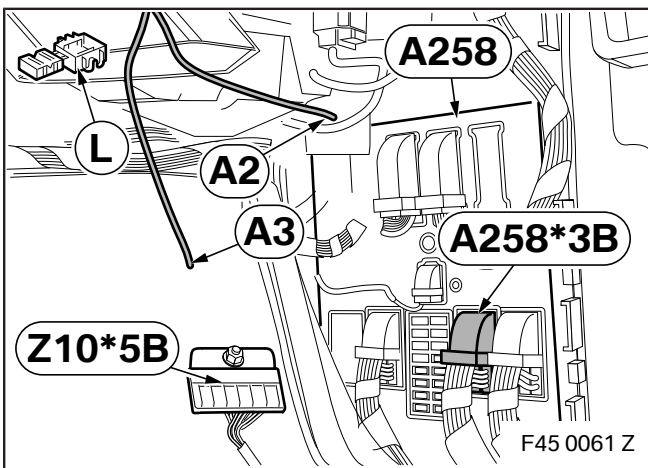
Connect branch **A1**, SW 12-pin socket casing, to CAN interface **C**.

Secure CAN interface **C** using cable tie **H** to a suitable installation point in the area of the BDC (1).



Connection locations on BDC **A258**:

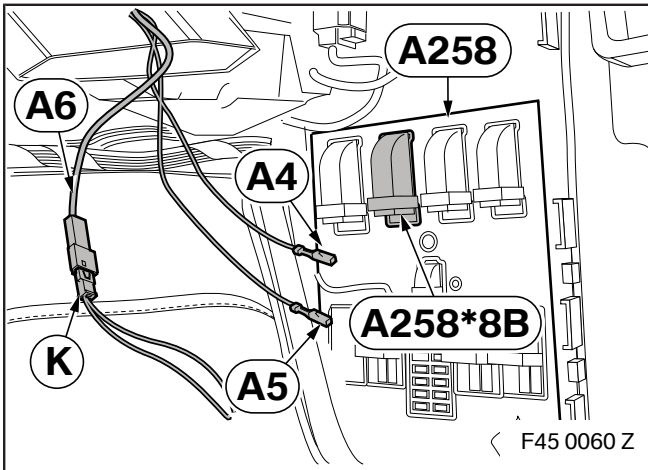
- **A258*3B**, SW 54-pin socket casing
- **A258*8B**, SW 54-pin socket casing



Connect branch **A2**, RT cable, using miniature connector **L** to the cable from PIN 19, RTWS cable, of plug **A258*3B**, SW 54-pin socket casing, on BDC **A258**.

Connect branch **A3**, SW cable, using miniature connector **L** to the BR cable of ground support point **Z10*5B** under the passenger footwell carpet.

15. Routing and connecting the retrofit wiring harness (F45, F46 cars only)

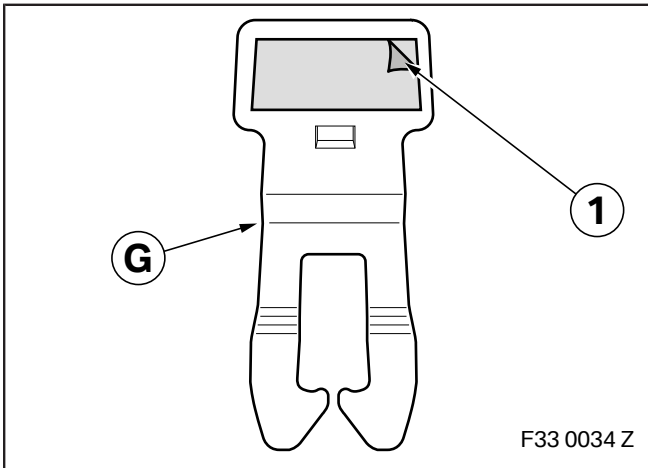


Connect branches **A4-A6** as follows:

- Kabel BL aus PIN 19 des Steckers **A258*8B**, Buchsengehäuse 54-pol. BL, ausspinnen und in PIN 1 des Buchsengehäuses **K** einpinnen
- Kabel RT aus PIN 20 des Steckers **A258*8B**, Buchsengehäuse 54-pol. SW, ausspinnen und in PIN 2 des Buchsengehäuses **K** einpinnen
- Abzweig **A4**, Kabelfarbe BL/RT in PIN 19 des Steckers **A258*8B**, Buchsengehäuse 54-pol. SW, einpinnen
- Abzweig **A5**, Kabelfarbe RT in PIN 20 des Steckers **A258*8B**, Buchsengehäuse 54-pol. SW, einpinnen

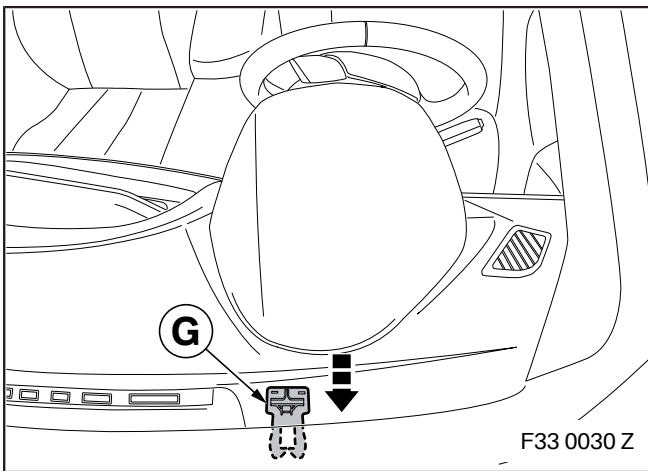
Connect branch **A6**, SW 2-pin plug casing, to socket casing **K**.

16. Installing the Head-Up Screen



☐ Clean the bonding surfaces with cleaning pad **M** to ensure they are free from grease. ◀

Remove the adhesive backing film (1) from tie rod **G**.

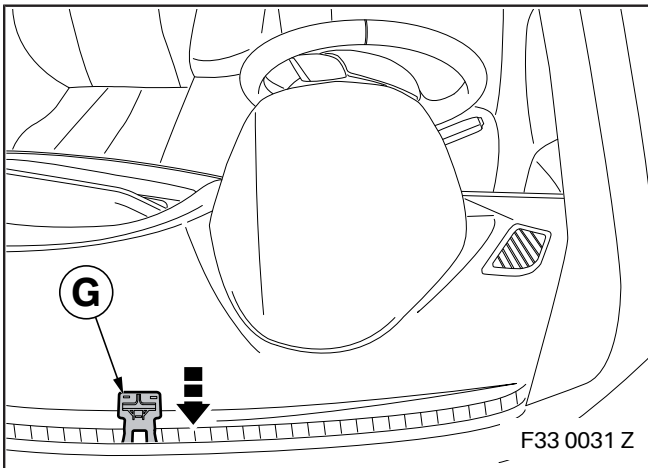


Only cars without air vent on the dashboard

☐ Clean the bonding surfaces with cleaning pad **M** to ensure they are free from grease. ◀

Position tie rod **G** centrally to the installation point of Head-Up Screen **B** between the windscreen and the dashboard.

Press tie rod **G** with the adhesive side downwards firmly onto the dashboard and keep pressed for 30 seconds.

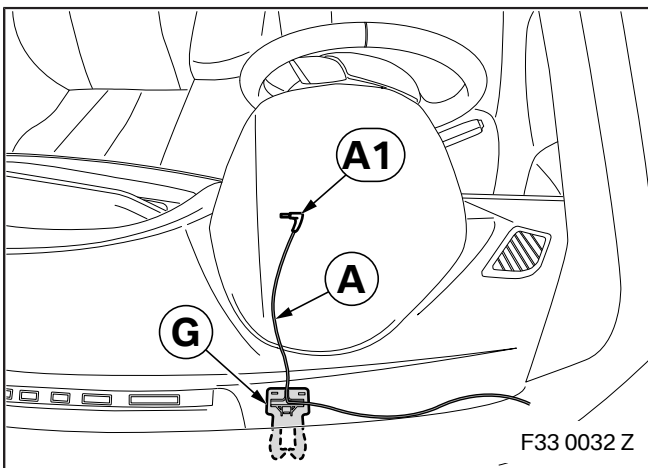


Only cars with air vent on the dashboard

☐ Clean the bonding surfaces with cleaning pad **M** to ensure they are free from grease. ◀

Position tie rod **G** centrally to the installation point of Head-Up Screen **B** between the slats of the air vent.

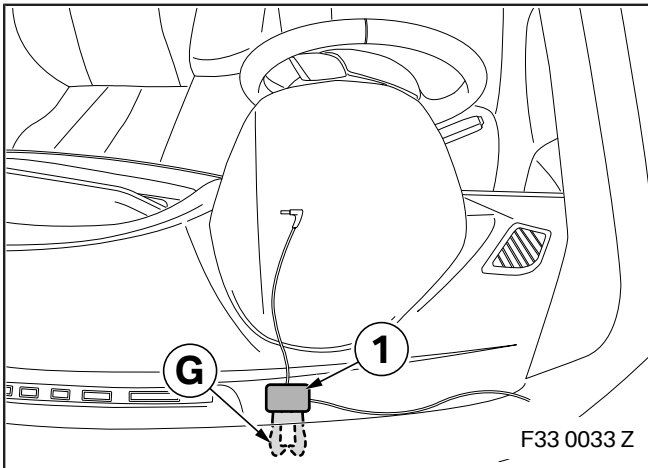
Press tie rod **G** with the adhesive side downwards firmly onto the dashboard and keep pressed for 30 seconds.



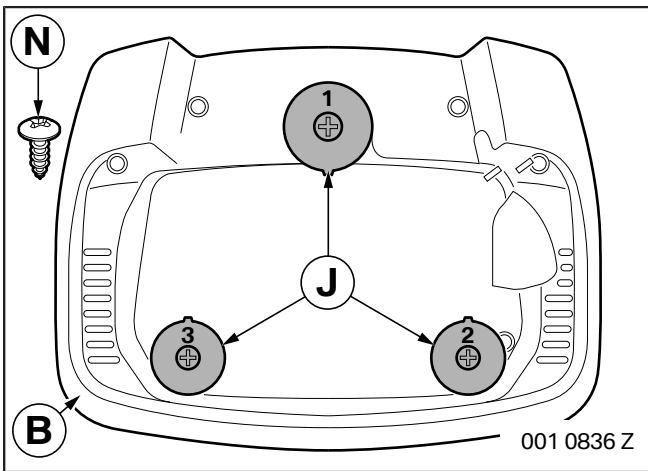
All cars

Insert branch **A7** of retrofit wiring harness **A** into the guide of tie rod **G** as shown.

16. Installing the Head-Up Screen



Insert the cover (1) of tie rod **G**.



F30, F31, F32, F33, F34, F35, F36 cars only

▣ Add-on set **J** is available in two versions (LHD - Left-Hand-Drive and RHD - Right Hand Drive). ◀

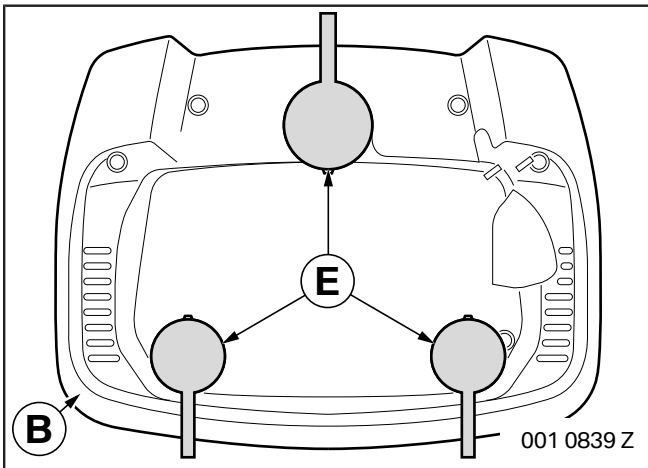
Screw add-on set **J** using screws **N** to Head-Up Screen **B**.

LHD cars only:

Use the add-on set with LH1, LH2 and LH3 printed on the inside.

RHD cars only:

Use the add-on set with RH1, RH2 and RH3 printed on the inside.

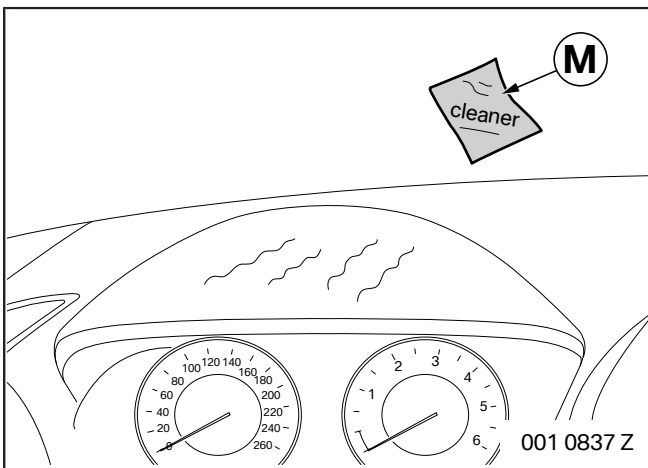


All cars

▣ Clean the bonding surfaces with cleaning pad **M** to ensure they are free from grease. ◀

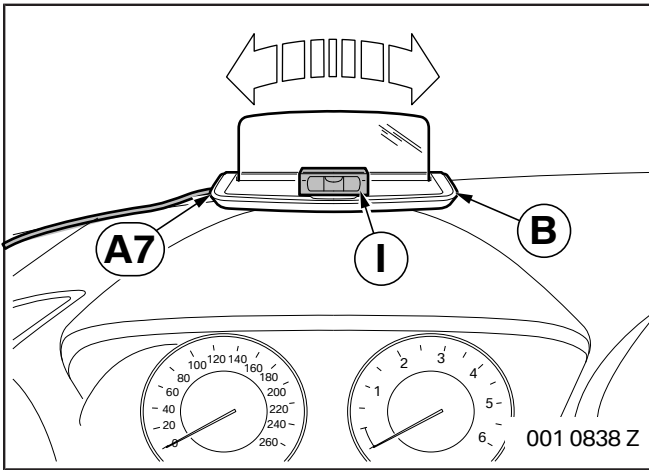
Attach adhesive pads **E** as shown onto Head-Up Screen **B**.

Remove the backing film from adhesive pads **E**.



Clean the installation point of the Head-Up Screen using cleaning pad **M** so it is free from grease.

16. Installing the Head-Up Screen



- ▶ The ideal installation position for the Head-Up Screen should be determined in consultation with the customer.

Secure the Head-Up Screen as close as possible towards the windscreen, with the minimum distance from the windscreen being 2-3 mm.

Ensure that the car is positioned on a flat surface when levelling the Head-Up Screen. ◀

Connect branch **A7** to Head-Up Screen **B**.

Move Head-Up Screen **B** to its final installation position and level out using spirit level **I**.

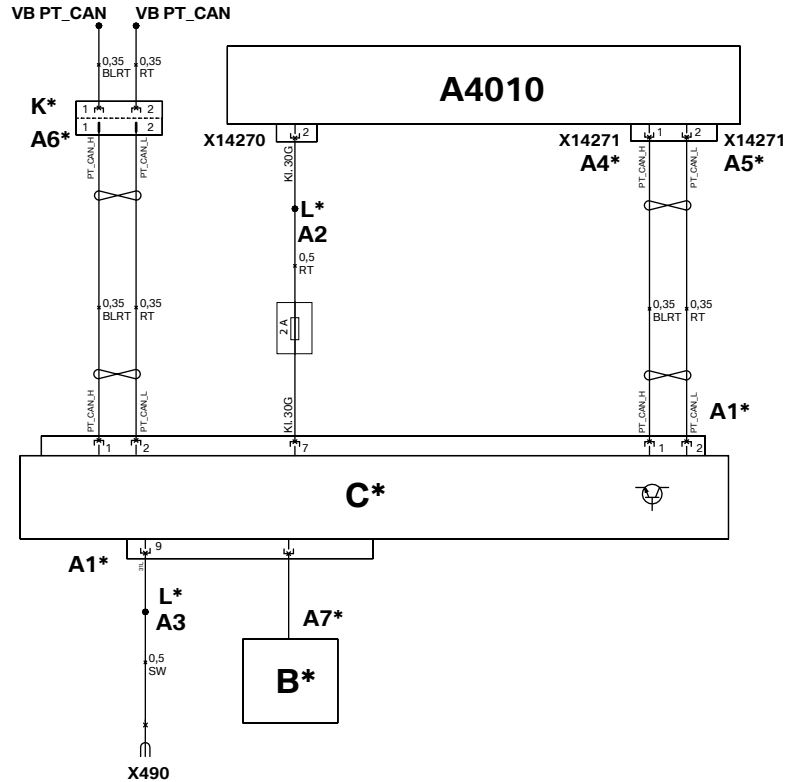
Once the final installation position has been reached, press Head-Up Screen **B** firmly onto the dashboard for 30 seconds.

17. Concluding work and coding

The retrofit system does not require programming / coding.

- Connect the battery
- Conduct a function test
- Re-assemble the car in a logical manner

18. Wiring diagram (E81, E82, E84, E87, E88, E90, E91, E92, E93 cars only)



091 0321 Z

Legend

- A1*** Connect SW 12-pin socket casing to CAN interface **C***
- A2*** Cable open, RT cable, using miniature connector **L*** to the cable from plug **X14270**
- A3*** Cable open, SW cable, using miniature connector **L*** to the cable on ground support point **X490**
- A4*** Connect socket contact, BL/RT cable, to PIN 1 of plug **X14271**
- A5*** Connect socket contact, RT cable, to PIN 2 of plug **X14271**
- A6*** SW 2-pin plug casing, with disconnected cables from plug **X14271**, to socket casing **K***
- A7*** Barrel connector, on Head-Up Screen **B***

- B*** Head-Up Screen
- C*** CAN interface
- K*** SW 2-pin socket casing
- L*** Miniature connector

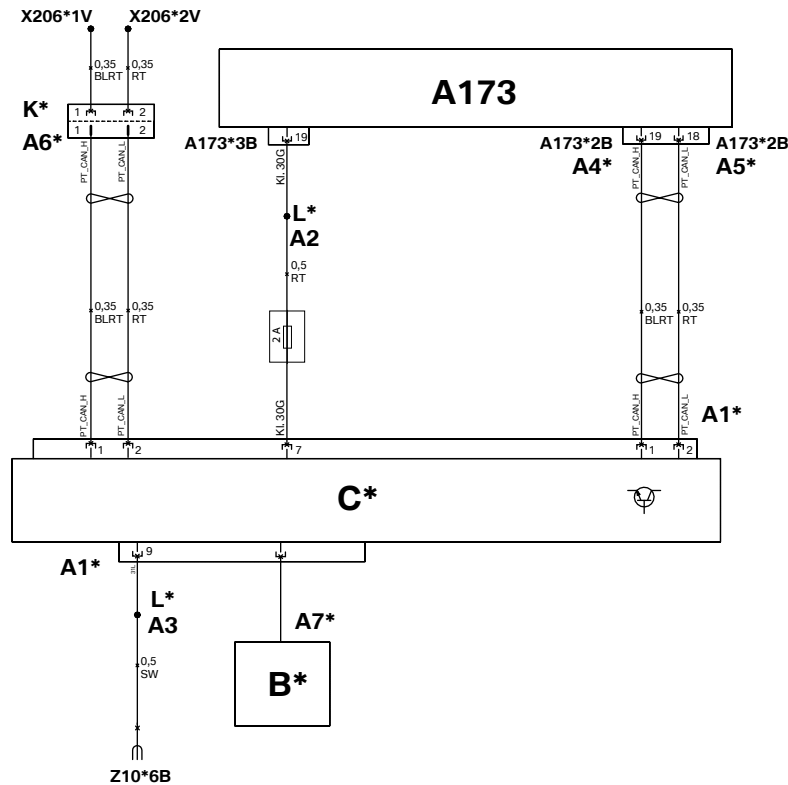
- A4010** Junction box in the passenger footwell
- X14270** SW 47-pin socket casing
- X14271** BL 54-pin socket casing
- X490** Ground support point in the passenger footwell

All the designations marked with * apply only to these installation instructions or this wiring diagram.

Cable colours

BL	Blue	GR	Grey	RT	Red
BO	Bordeaux (Burgundy)	L-GN	Light green	SW	Black
BR	Brown	NT	Natural	TR	Transparent
GE	Yellow	OR	Orange	VI	Violet
GN	Green	RO	Pink	WS	White

19. Wiring diagram (F20, F21, F22, F23, F30, F31, F32, F33, F34, F35, F36 cars only)



F30 0337 Z

Legend

- A1*** Connect SW 12-pin socket casing to CAN interface **C***
- A2*** Cable open, RT cable, using miniature connector **L*** to the cable from plug **X173*3B**
- A3*** Cable open, SW cable, using miniature connector **L*** to the cable on ground support point **Z10*6B**
- A4*** Connect socket contact, BL/RT cable, to PIN 19 of plug **A173*2B**
- A5*** Connect socket contact, RT cable, to PIN 18 of plug **A173*2B**
- A6*** SW 2-pin plug casing, with disconnected cables from plug **A173*2B**, to socket casing **K***
- A7*** Barrel connector, on Head-Up Screen **B***

- B*** Head-Up Screen
- C*** CAN interface
- K*** SW 2-pin socket casing
- L*** Miniature connector

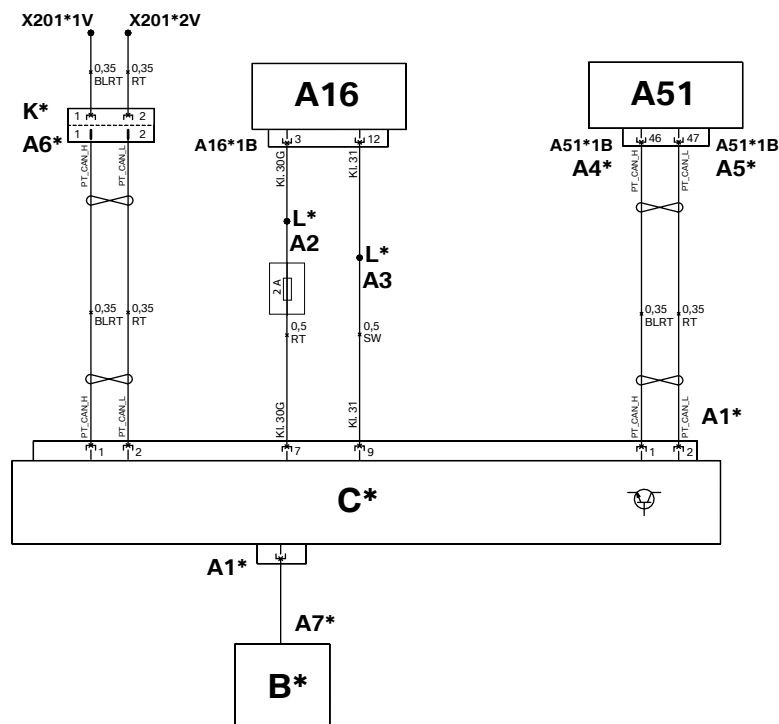
- A173** FEM in the passenger footwell
- A173*2B** SW 42-pin socket casing
- A173*3B** SW 54-pin socket casing
- Z10*6B** Ground support point in the passenger footwell

All the designations marked with * apply only to these installation instructions or this wiring diagram.

Cable colours

BL	Blue	GR	Grey	RT	Red
BO	Bordeaux (Burgundy)	L-GN	Light green	SW	Black
BR	Brown	NT	Natural	TR	Transparent
GE	Yellow	OR	Orange	VI	Violet
GN	Green	RO	Pink	WS	White

20. Wiring diagram (F10, F11, F25, F26 cars only)



F10 0271 Z

Legend

- A1*** Connect SW 12-pin socket casing to CAN interface **C***
- A2*** Cable open, RT cable, using miniature connector **L*** to the cable from plug **A16*1B**
- A3*** Cable open, SW cable, using miniature connector **L*** to the cable from plug **A16*1B**
- A4*** Connect socket contact, BL/RT cable, to PIN 46 of plug **A51*1B**
- A5*** Connect socket contact, RT cable, to PIN 47 of plug **A51*1B**
- A6*** SW 2-pin plug casing, with disconnected cables from plug **A51*1B**, to socket casing **K***
- A7*** Barrel connector, on Head-Up Screen **B***

- B*** Head-Up Screen
- C*** CAN interface
- K*** SW 2-pin socket casing
- L*** Miniature connector

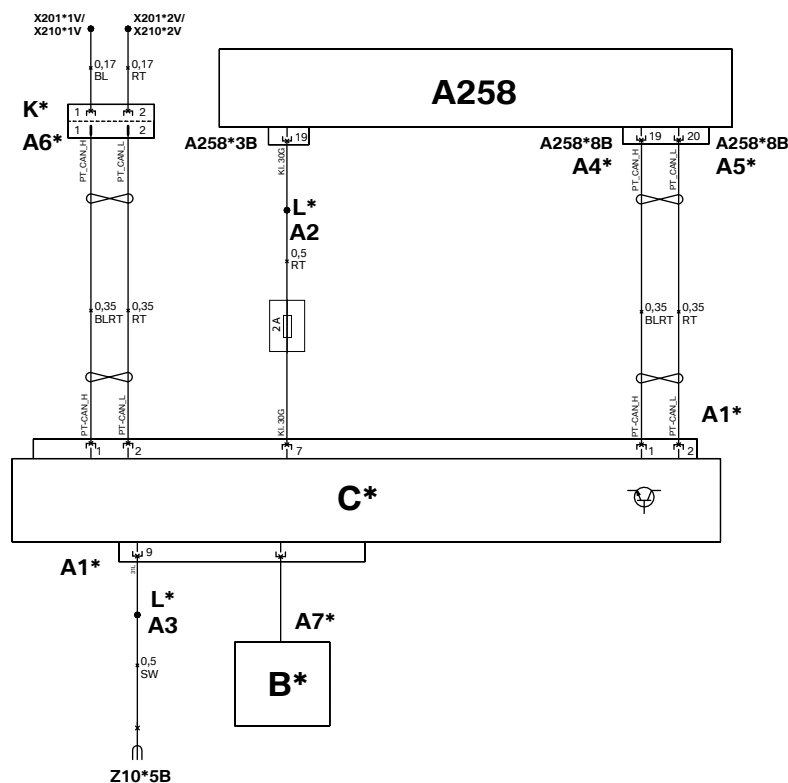
- A16** CAS
- A51** CGW
- A16*1B** SW 41-pin socket casing
- A51*1B** SW 54-pin socket casing

All the designations marked with * apply only to these installation instructions or this wiring diagram.

Cable colours

BL	Blue	GR	Grey	RT	Red
BO	Bordeaux (Burgundy)	L-GN	Light green	SW	Black
BR	Brown	NT	Natural	TR	Transparent
GE	Yellow	OR	Orange	VI	Violet
GN	Green	RO	Pink	WS	White

21. Wiring diagram (F45, F46 cars only)



F45 0062 Z

Legend

- A1*** Connect SW 12-pin socket casing to CAN interface **C***
- A2*** Cable open, RT cable, using miniature connector **L*** to the cable from plug **A258*3B**
- A3*** Cable open, SW cable, using miniature connector **L*** to the cable on ground support point **Z10*5B**
- A4*** Connect socket contact, BL/RT cable, to PIN 20 of plug **A258*8B**
- A5*** Connect socket contact, RT cable, to PIN 19 of plug **A258*8B**
- A6*** SW 2-pin plug casing, with disconnected cables from plug **A258*8B**, to socket casing **K***
- A7*** Barrel connector, on Head-Up Screen **B***

- B*** Head-Up Screen
- C*** CAN interface
- K*** SW 2-pin socket casing
- L*** Miniature connector

- A258** BDC in the passenger footwell
- A258*3B** SW 54-pin socket casing
- A258*8B** SW 54-pin socket casing
- Z10*5B** Ground support point in the passenger footwell

All the designations marked with * apply only to these installation instructions or this wiring diagram.

Cable colours

BL	Blue	GR	Grey	RT	Red
BO	Bordeaux (Burgundy)	L-GN	Light green	SW	Black
BR	Brown	NT	Natural	TR	Transparent
GE	Yellow	OR	Orange	VI	Violet
GN	Green	RO	Pink	WS	White